

# THE COTSWOLD CASEMENT COMPANY

EST.d 1888

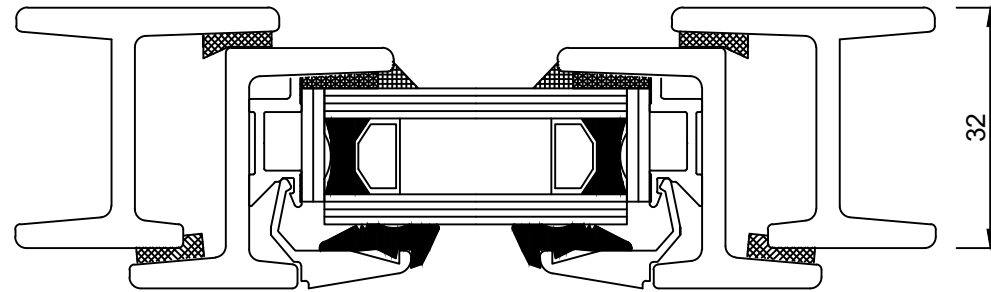
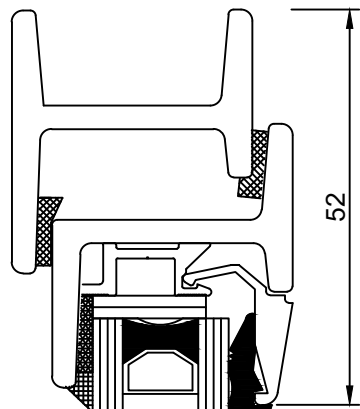
Scale  
Elevations - 1:10 @ A4  
Sections - 1:1 @ A4

Drawn by: LP

W30 Section - Equal Leg  
Side Hung  
Open Out / Glaze Out

All dimensions are stated in  
mm unless otherwise  
specified.

All elevations are drawn  
viewed externally unless  
otherwise specified.



19mm Applied  
Heritage Bar  
Both Panes

19mm Applied  
Heritage Bar  
w/ Weld In Bar

9mm Blackened  
Leads Both Panes

