

THE COTSWOLD CASEMENT COMPANY

EST.d 1888

Scale
Elevations - 1:10 @ A4
Sections - 1:1 @ A4

Drawn by: LP

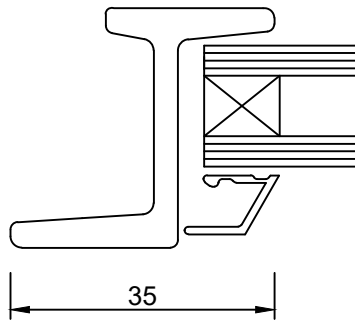
W20 Section - Odd Leg

Open Out / Glaze Out

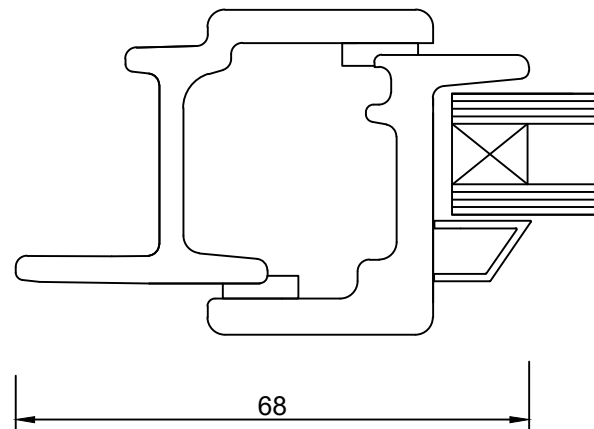
All dimensions are stated in
mm unless otherwise
specified.

All elevations are drawn
viewed externally unless
otherwise specified.

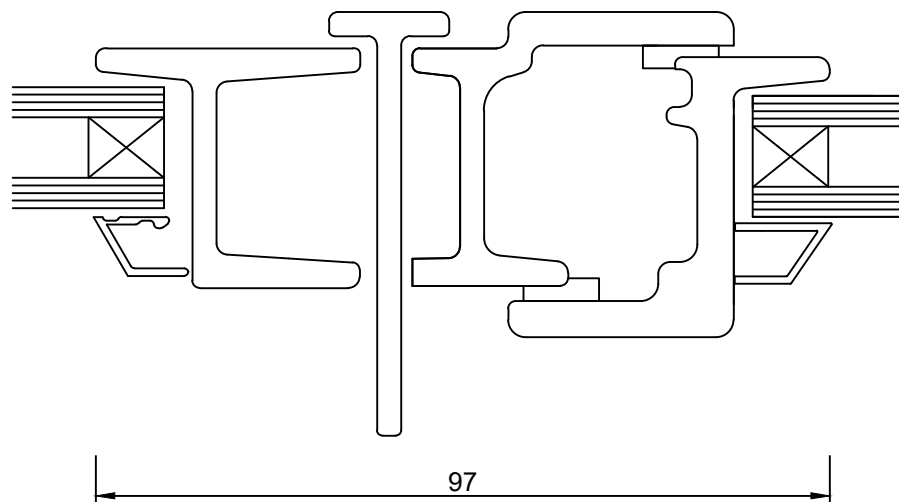
Side Screen / Fixed Light



Door Section



Coupling Detail



Meeting Rail

