

THE COTSWOLD CASEMENT COMPANY

EST.d 1888

Scale
Elevations - 1:10 @ A4
Sections - 1:1 @ A4

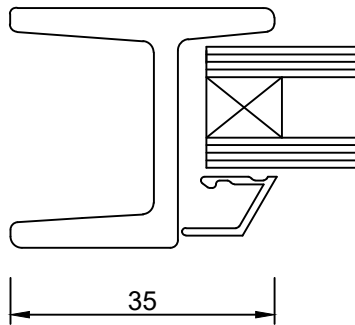
Drawn by: LP

W20 Section - Equal Leg
Open Out / Glaze Out

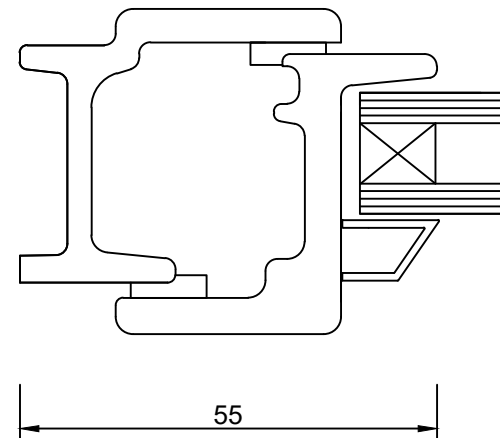
All dimensions are stated in
mm unless otherwise
specified.

All elevations are drawn
viewed externally unless
otherwise specified.

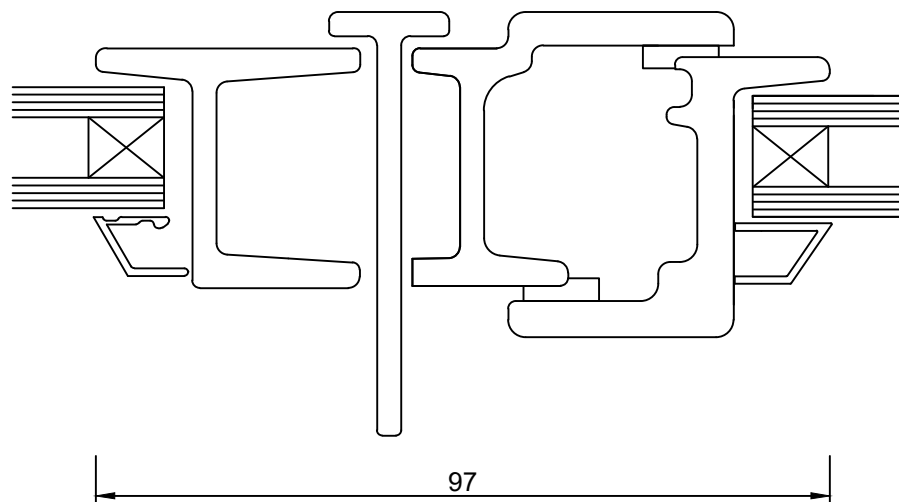
Side Screen / Fixed Light



Door Section



Coupling Detail



Meeting Rail

