

THE COTSWOLD CASEMENT COMPANY

EST.d 1888

Scale
Elevations - 1:10 @ A4
Sections - 1:1 @ A4

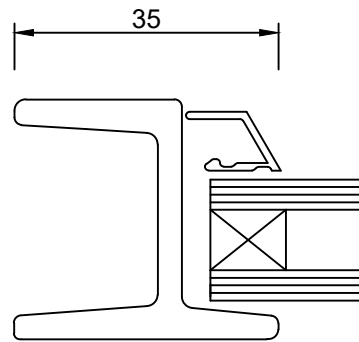
Drawn by: LP

W20 Section - Equal Leg

Open In / Glaze In

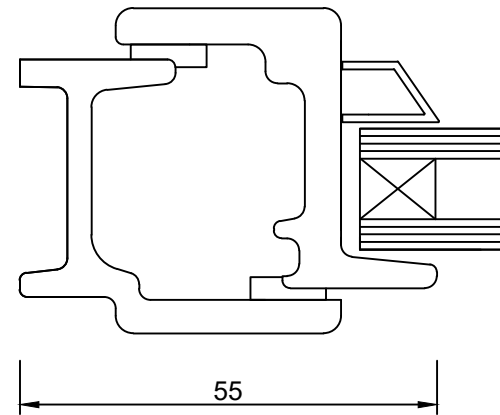
All dimensions are stated in mm unless otherwise specified.

All elevations are drawn viewed externally unless otherwise specified.

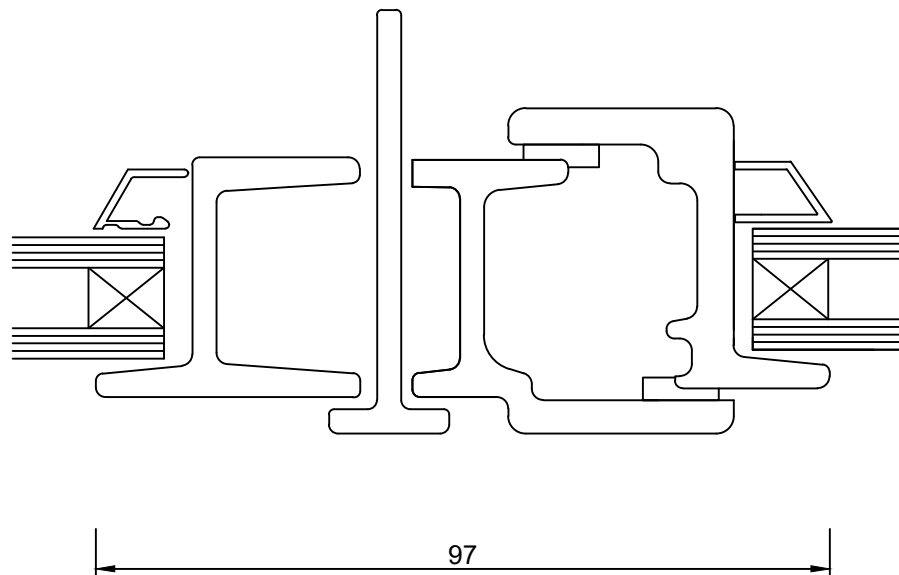


Side Screen / Fixed Light

Door Section



Coupling Detail



Meeting Rail

