

THE COTSWOLD CASEMENT COMPANY

EST.d 1888

Scale

Sections - 1:2 @ A4

Drawn by: LP

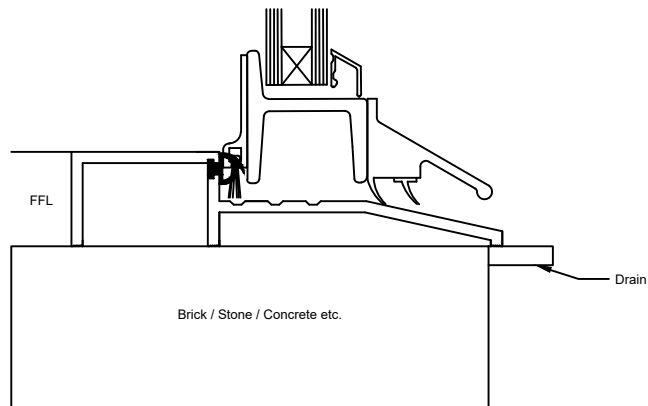
W20 Section

Threshold Details

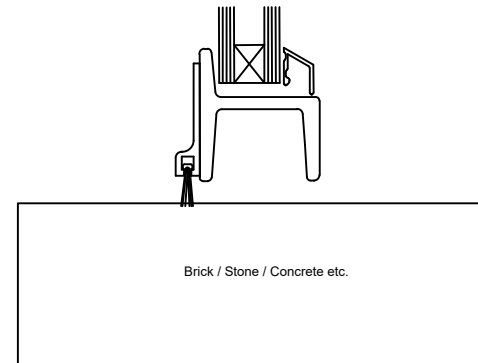
All dimensions are stated in mm unless otherwise specified.

All elevations are drawn viewed externally unless otherwise specified.

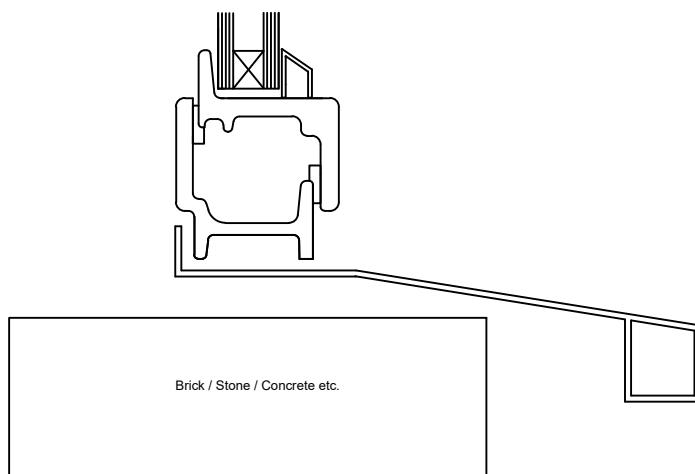
W20 Low Threshold Detail



W20 Goal Post Door



W20 Stainless Steel Cill Detail



W20 Stone/Timberl Cill Detail

