

**THE  
COTSWOLD  
CASEMENT  
COMPANY**

EST.d 1888

Scale  
Elevations - 1:10 @ A4  
Sections - 1:1 @ A4

Drawn by: LP

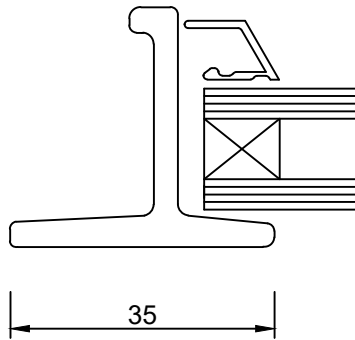
W20 Section - Odd Leg

Open In / Glaze In

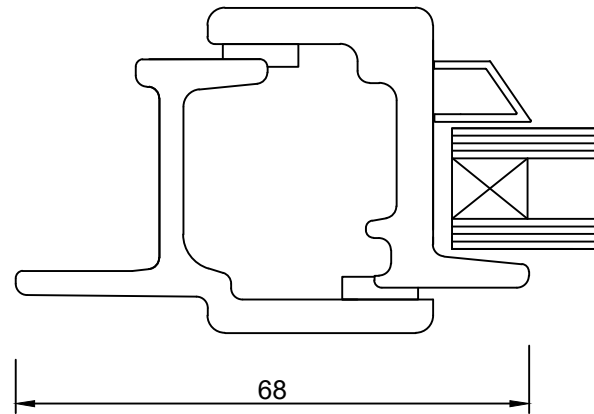
All dimensions are stated in mm unless otherwise specified.

All elevations are drawn viewed externally unless otherwise specified.

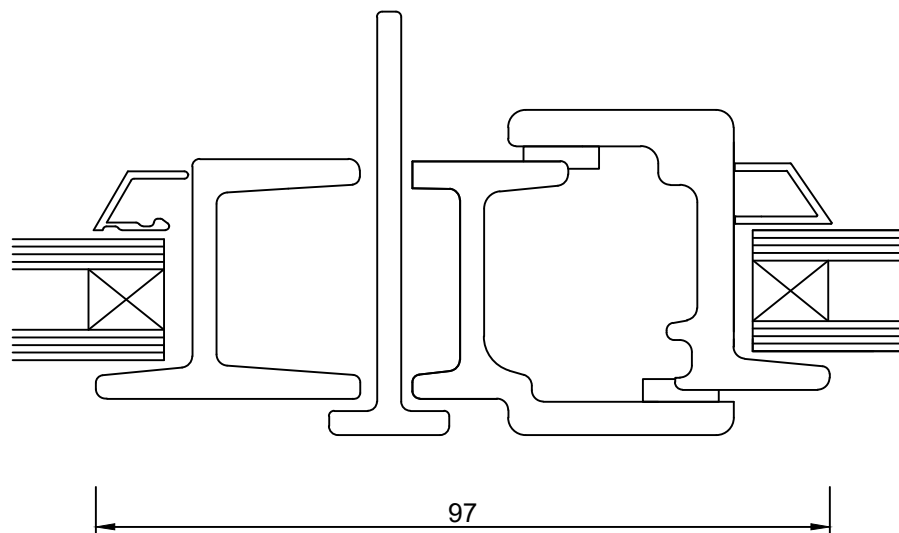
Side Screen / Fixed Light



Door Section



Coupling Detail



Meeting Rail

